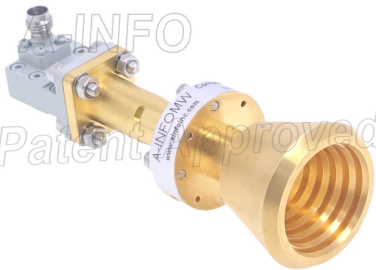


For reference only. See data sheet for the detailed specifications.

## Technical Specification

Frequency Range(GHz)	23.5 – 43.5	
Waveguide	WR28	
Gain(dBi)	15 Typ.	
Polarization	Linear	
3dB Beamwidth(deg)	E Plane:	28 Typ.
	H Plane:	27 Typ.
Cross Pol. Isolation(dB)	40 Typ.	
VSWR	A Type:	1.25:1 Typ.
	C Type:	1.40:1 Typ.
Output	A Type:	FBP320(UBR320)
	C Type:	2.4mm-Female or 2.92mm-Female
Material	Cu	
Finish	Gold Plated, Gray Paint	
Size(mm)	A Type:	34.2 x 34.2 x 75.6
	C Type:	34.2 x 34.2 x 99.6
Net Weight(Kg)	A Type:	0.12 Around
	C Type:	0.16 Around

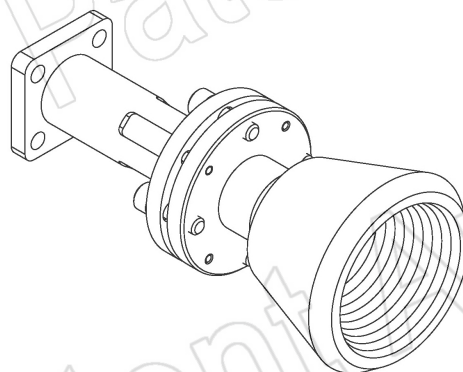
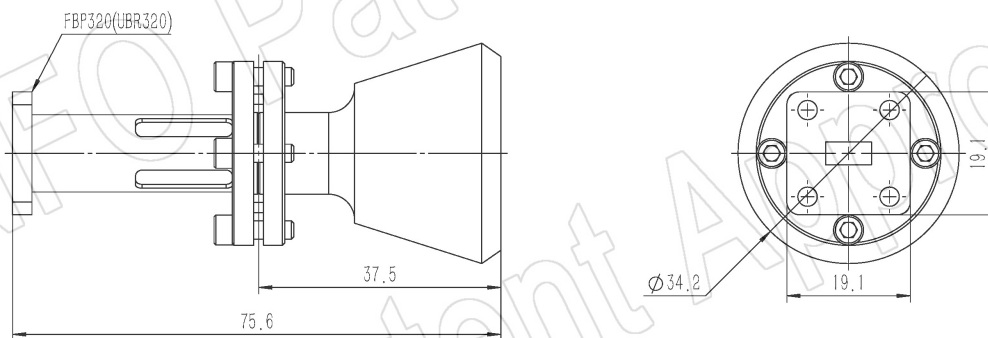


**PATENT ID (China)**

**ZL202220615760.3, ZL202130553080.4**

## Outline Drawing (Size: mm)

FBP320 Output (P/N: LB-CH-28-15-62-A)



**AINFO Inc.**

China(Beijing):  
China(Chengdu):  
USA :

Tel: (+86) 10-6266-7326,  
Tel: (+86) 28-8519-2786,  
Tel: (+1) 949-639-9688,

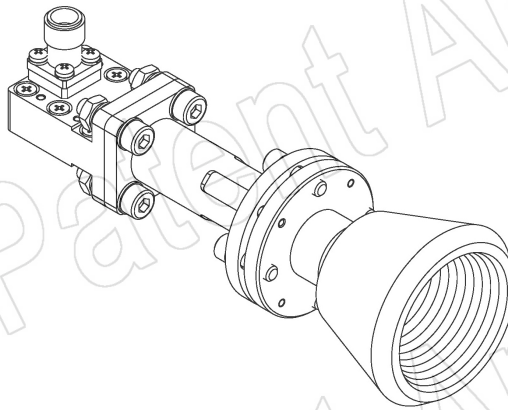
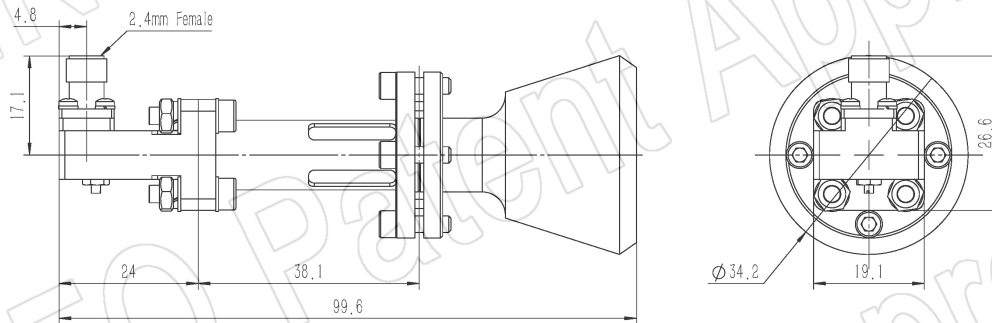
(+86) 10-6266-7327  
(+86) 28-8519-3044  
(+1) 949-639-9608

Fax: (+86) 10-6266-7379  
Fax: (+86) 28-8519-3068  
Fax: (+1) 949-639-9670

Website: [www.ainfoinc.com](http://www.ainfoinc.com)  
Email: [sales@ainfoinc.com](mailto:sales@ainfoinc.com)

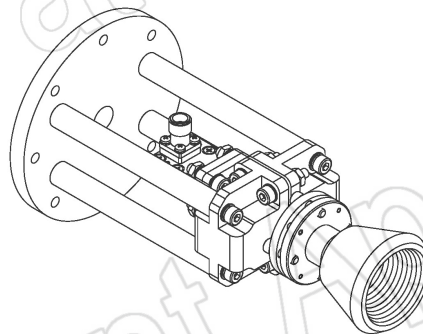
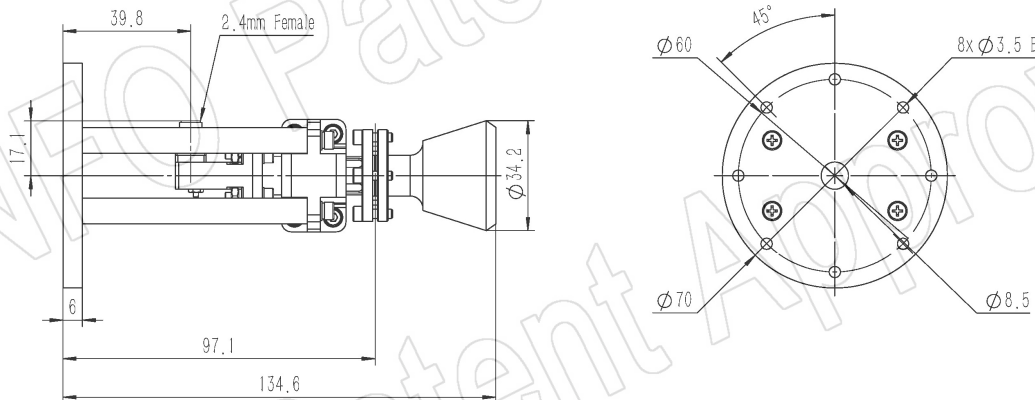
## 2.4mm-Female Output (P/N: LB-CH-28-15-62-C-2.4F)

For 2.92mm-Female output outline drawing, please contact A-INFO.



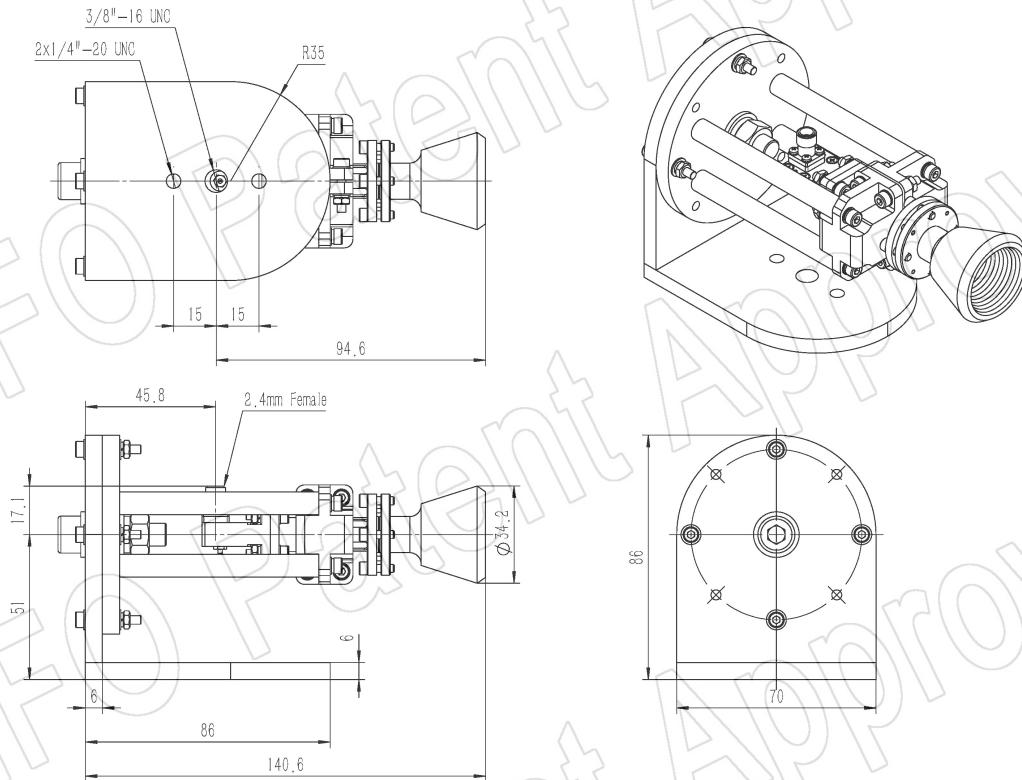
## 2.4mm-Female Output with Round Mounting Bracket (Option, P/N:LB-CNH-28-20-MB)

For 2.92mm-Female output outline drawing, please contact A-INFO.

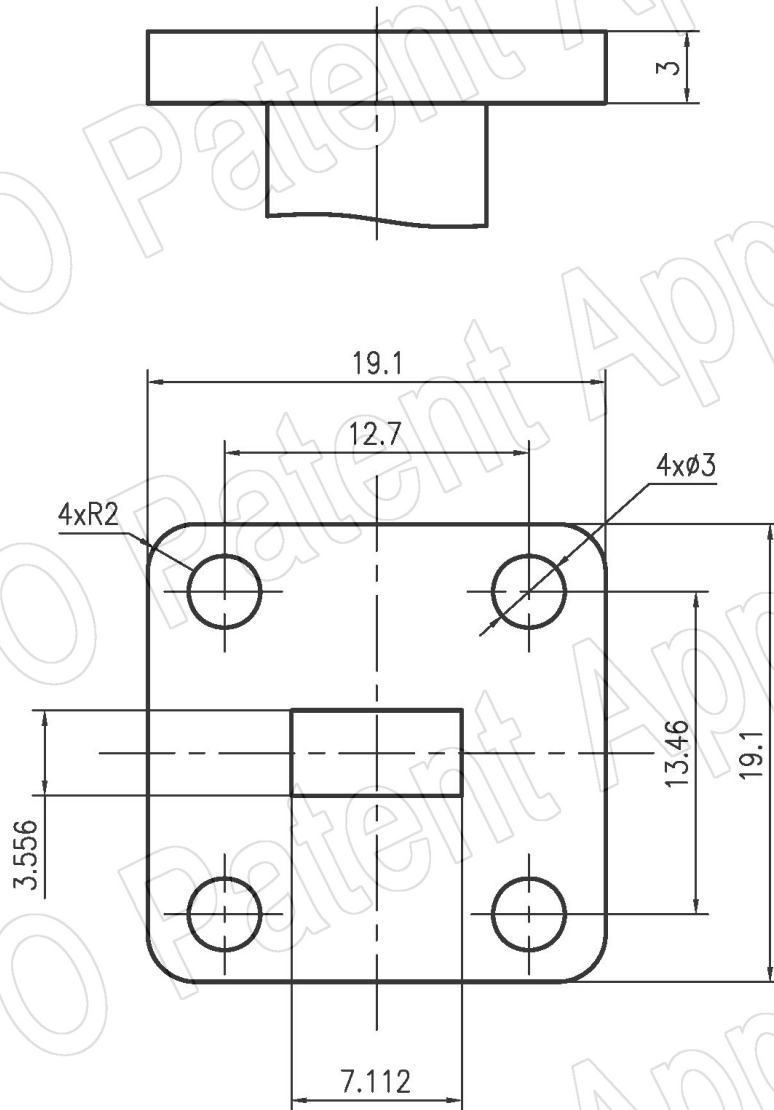


2.4mm-Female-Female Output with L Type Mounting Bracket (Option, P/N:LB-CN-28-20-MBL)

For 2.92mm-Female output outline drawing, please contact A-INFO.



## Flange Drawing (Size: mm)



**FBP320**

**AINFO Inc.**

China(Beijing):  
China(Chengdu):  
USA :

Tel: (+86) 10-6266-7326,  
Tel: (+86) 28-8519-2786,  
Tel: (+1) 949-639-9688,

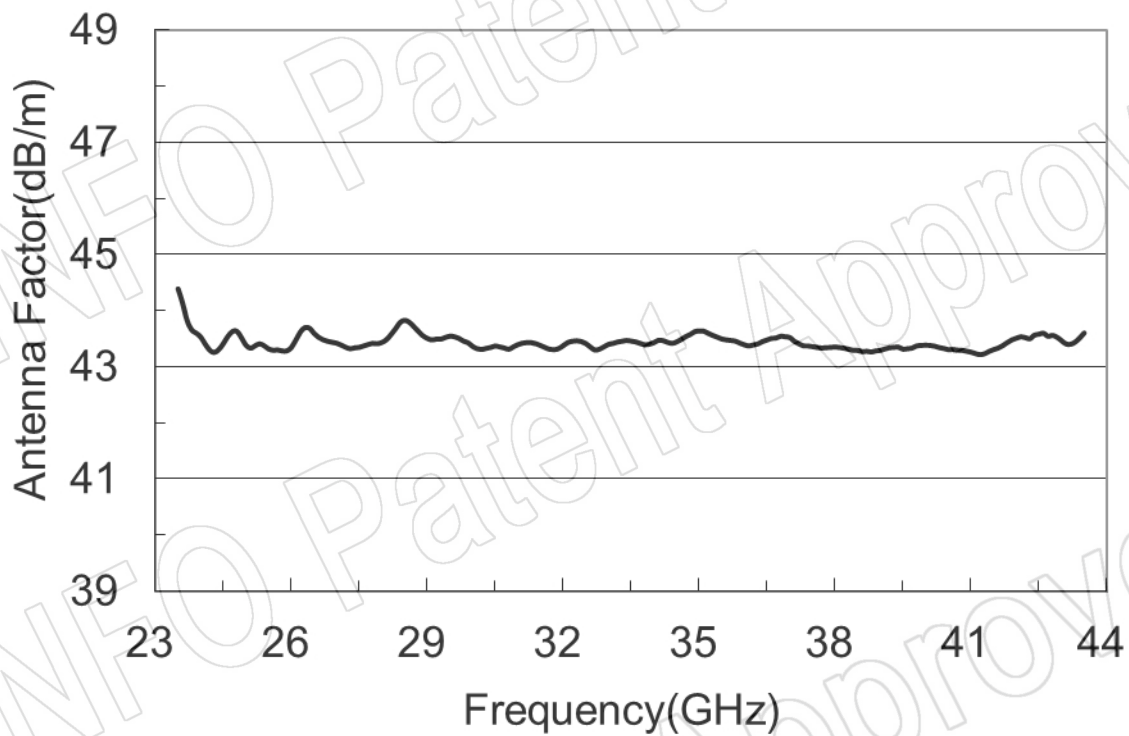
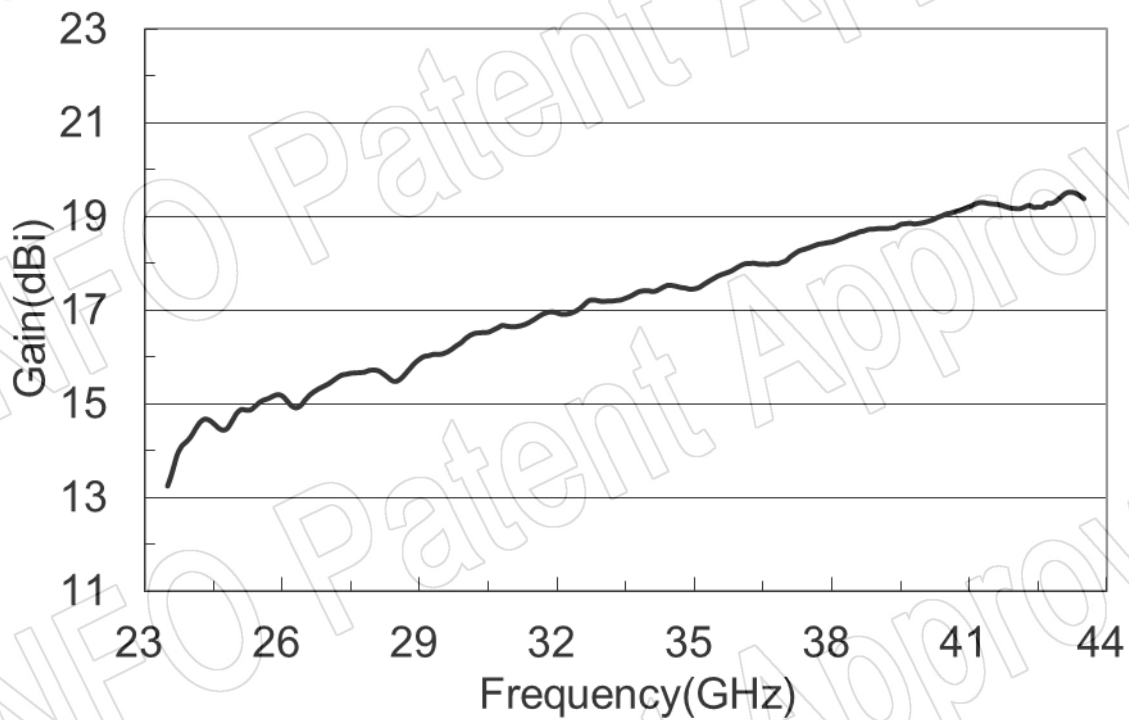
(+86) 10-6266-7327  
(+86) 28-8519-3044  
(+1) 949-639-9608

Fax: (+86) 10-6266-7379  
Fax: (+86) 28-8519-3068  
Fax: (+1) 949-639-9670

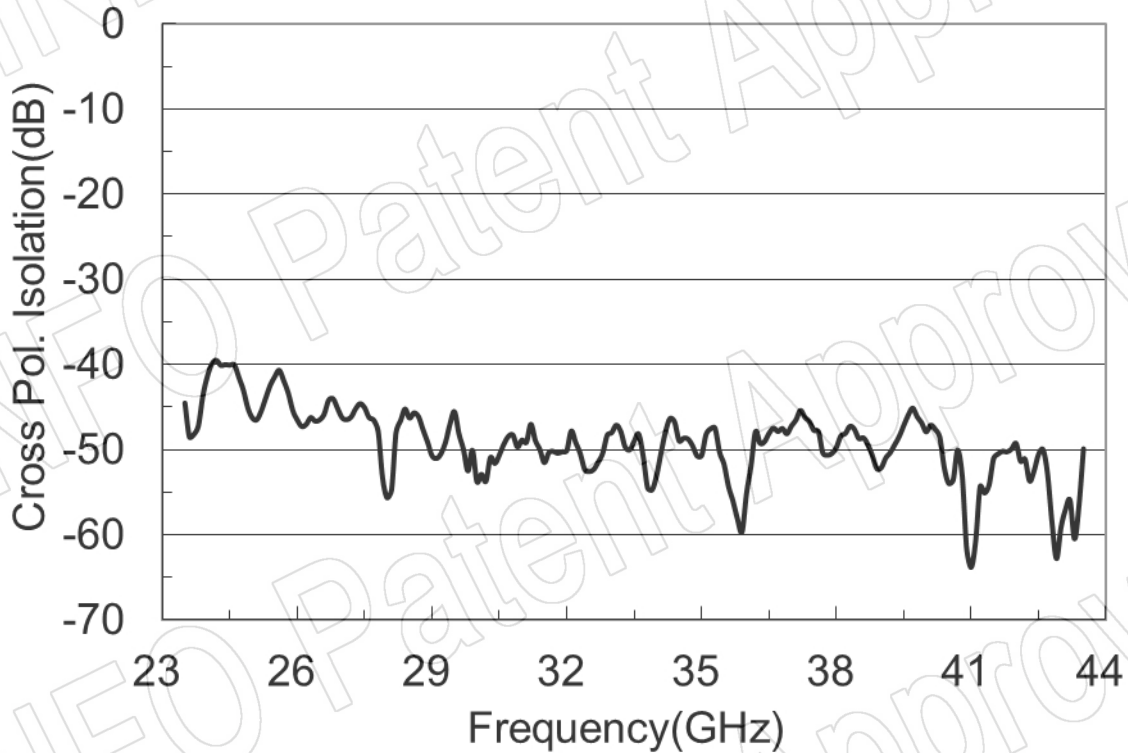
Website: [www.ainfoinc.com](http://www.ainfoinc.com)  
Email: [sales@ainfoinc.com](mailto:sales@ainfoinc.com)

## Test Results

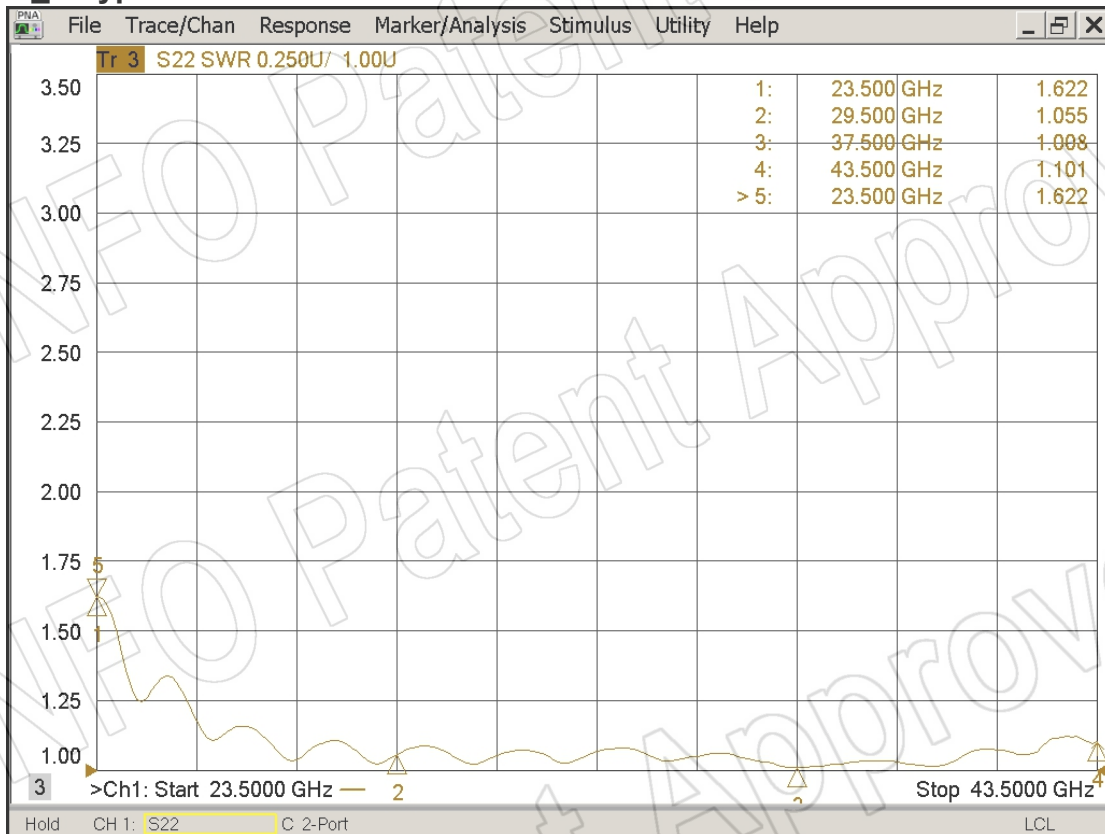
### 1. Gain & Antenna Factor



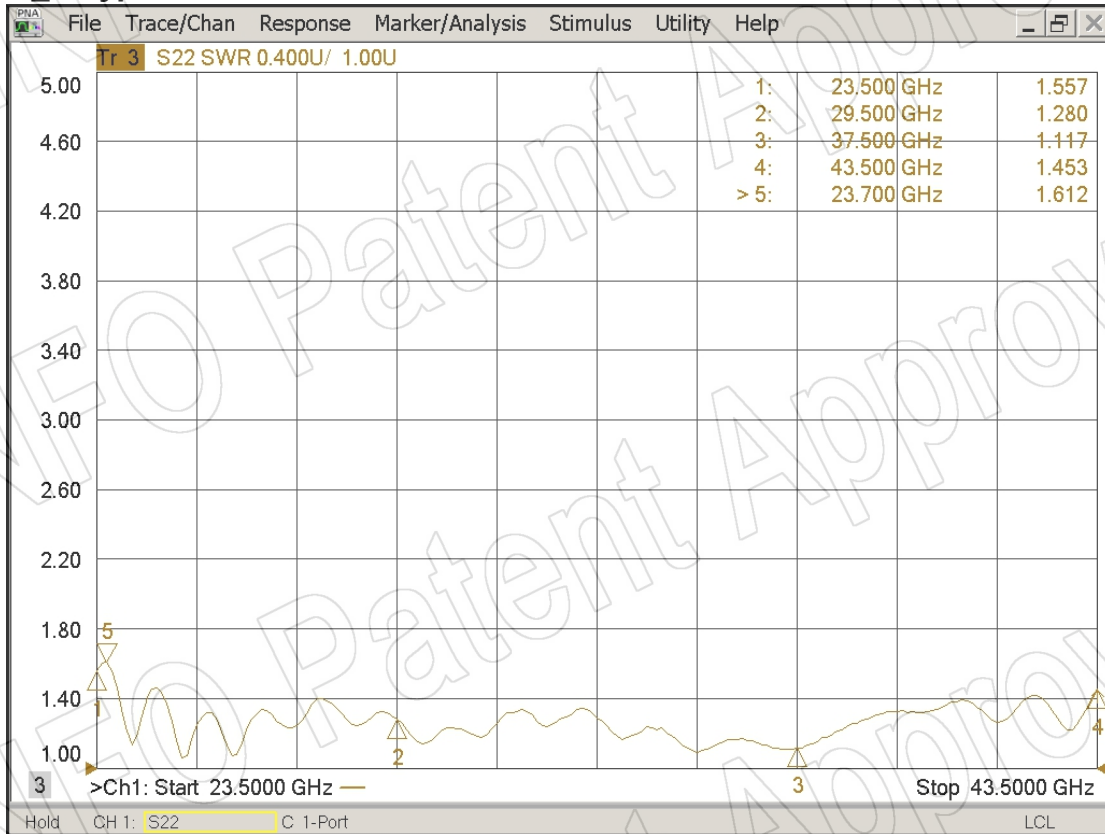
## 2. Cross Polarization Isolation



## 3. VSWR\_A Type



## VSWR\_C Type



## 4. Pattern

